

Datasheet

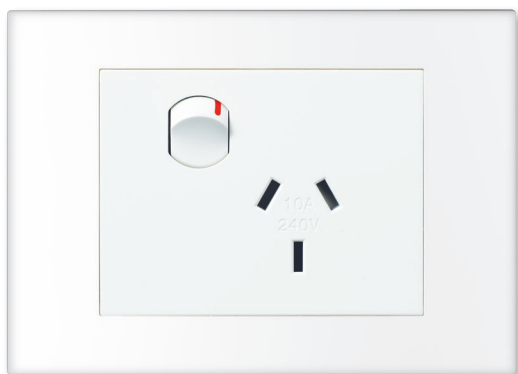
VIVO™

Single Powerpoint, 10A

CAT. NO. EV787WE, EV787GR, EV787MW, EV787MG



A brand of legrand®



EV787WE



EV787GR

Cat. No.	EV787WE	EV787GR	EV787MW	EV787MG
Colour	White (WE)	Dark Grey (GR)	Matt White (MW)	Matt Grey (MG)
Description	Vivo™ Single Powerpoint, 10 A			
Supply voltage	230 - 240 V a.c. 50 Hz			
Current rating	10 A			
Plate size (W x H x D)	119 x 85 x 10 mm			
Mounting centres	84 mm			
Compliance	AS/NZS 3112			

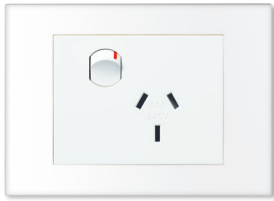
VIVO™

Single Powerpoint, 10A

CAT. NO. EV787WE, EV787GR, EV787MW, EV787MG



A brand of **legrand**



EV787WE



EV787GR

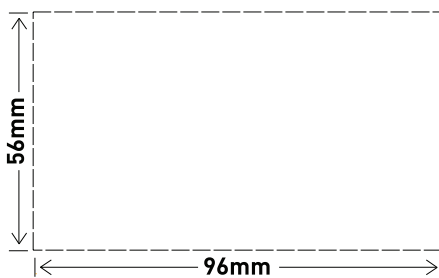
- Small footprint (fits into Ø40mm cut-out)
- Internal safety shutters for extra safety
- Captive terminal screws
- Carburised steel and deep head screws
- Angled terminal screws for ease of use with power tools
- Funnel shape cable terminals
- Raised insulated barriers on terminals
- Elongated oblong mounting holes for better levelling

Single product (Qty 1)	
Cat. No.	Barcode
EV787WE	9321001465249
EV787GR	9321001465331
EV787MW	9321001509776
EV787MG	9321001509783

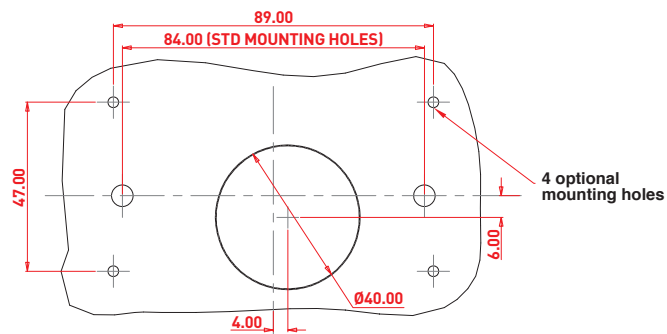
Inner box (Qty 10)		Dimensions (W x H x D)
Cat. No.	Barcode	
EV787WE	9321001466505	163 x 174 x 124 mm
EV787GR	9321001466581	
EV787MW	9321001509899	
EV787MG	9321001509905	

Outer box (Qty 120)		Dimensions (W x H x D)
Cat. No.	Barcode	
EV787WE	9321001467755	387 x 222 x 515 mm
EV787GR	9321001467830	
EV787MW	9321001510017	
EV787MG	9321001510024	

Glass and tile cut-out dimensions:



Timber cut-out dimensions:



Legrand Australia
1300 369 777
www.hpm.com.au
ABN 31 000 102 661

Legrand New Zealand
0800 476 009
www.hpm.co.nz

Refer to your group buying office, Legrand Sales Representative or Legrand Sales Office for pricing.

Please note: specifications are subject to change without prior notice.

